



Color: Bronze

Weight: 4.8 lbs

Project:

Type:

Prepared By:

Date:

### Driver Info

Type	Constant Current
120V	0.17A
208V	0.09A
240V	0.08A
277V	0.06A
Input Watts	19.6W

### LED Info

Watts	18W
Color Temp	3000K (Warm)
Color Accuracy	72 CRI
L70 Lifespan	100,000 Hours
Lumens	2,564 lm
Efficacy	130.8 lm/W

## Technical Specifications

### Compliance

#### UL Listed:

Suitable for wet locations. Suitable for ground mounting.

#### IESNA LM-79 & LM-80 Testing:

RAB LED luminaires and LED components have been tested by an independent laboratory in accordance with IESNA LM-79 and LM-80.

#### DLC Listed:

This product is on the Design Lights Consortium (DLC) Qualified Products List and is eligible for rebates from DLC Member Utilities. Designed to meet DLC 5.1 requirements.

DLC Product Code: P7GZ5UKE2

### LED Characteristics

#### LEDs:

Multi-chip, high-output, long-life LEDs

#### Color Stability:

RAB LEDs exceed industry standards for chromatic stability

#### Color Uniformity:

RAB's range of Correlated Color Temperature follows the guidelines of the American National Standard for Specifications for the Chromaticity of Solid State Lighting (SSL) Products, ANSI C78.377-2017.

### Construction

#### Cold Weather Starting:

The minimum starting temperature is -40°C (-40°F)

#### Thermal Management:

Superior heat sinking with external Air-Flow fins

#### Housing:

Precision die-cast aluminum housing, lens frame and mounting arm

#### Reflector:

Semi-specular, vacuum-metalized polycarbonate

#### Mounting:

Heavy-duty 1/2" thread mounting arm with "O" ring seal & stainless steel screws

#### Gaskets:

High-temperature silicone gaskets

#### Finish:

Our environmentally friendly polyester powder coatings are formulated for high-durability and long-lasting color

#### Green Technology:

Mercury and UV free. RoHS-compliant components.

### Other

#### Warranty:

RAB warrants that our LED products will be free from defects in materials and workmanship for a period of five (5) years from the date of delivery to the end user, including coverage of light output, color stability, driver performance and fixture finish. RAB's warranty is subject to all terms and conditions found at [rablighting.com/warranty](http://rablighting.com/warranty).

#### FTC Country of Origin:

This product was assembled in the USA by RAB using imported components

#### Buy American Act Compliance:

This product complies with the Buy American Act

### Optical

#### NEMA Type:

NEMA Beam Spread of 5H x 5V

### Electrical

#### Driver:

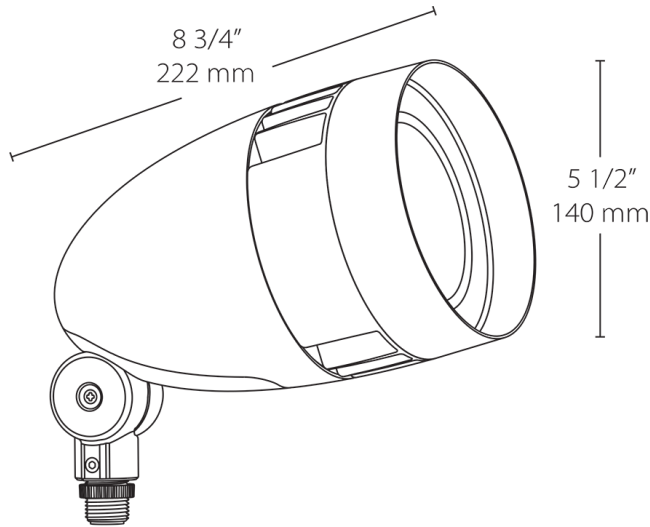
Constant Current, 120-277V with 4kV surge protection, 120V: 0.17A, 208V: 0.09A, 240V: 0.08A, 277V: 0.06A

## Technical Specifications (continued)

**THD:**  
9.38% at 120V, 9.95% at 277V

**Power Factor:**  
99.1% at 120V, 91.6% at 277V

## Dimensions



## Features

- 80% energy savings vs. PAR floods
- Mount on junction box or on RAB Mighty Post
- Patent-pending "Air-Flow" technology
- NEMA type - 5H x 5V
- 5-Year, No-Compromise Warranty

## Ordering Matrix

Family	Wattage	Color Temp	Finish	Driver Options	Other Options
HBLED	18	Y	A		USA
	18 = 18W 26 = 26W	Blank = 5000K Cool N = 4000K Neutral Y = 3000K Warm	A = Bronze W = White B = Black VG = Verde Green	Blank = No Option /D10 = 0-10V Dimming /480 = 480V - Only available for 26W	Blank = Standard USA = BAA Compliant